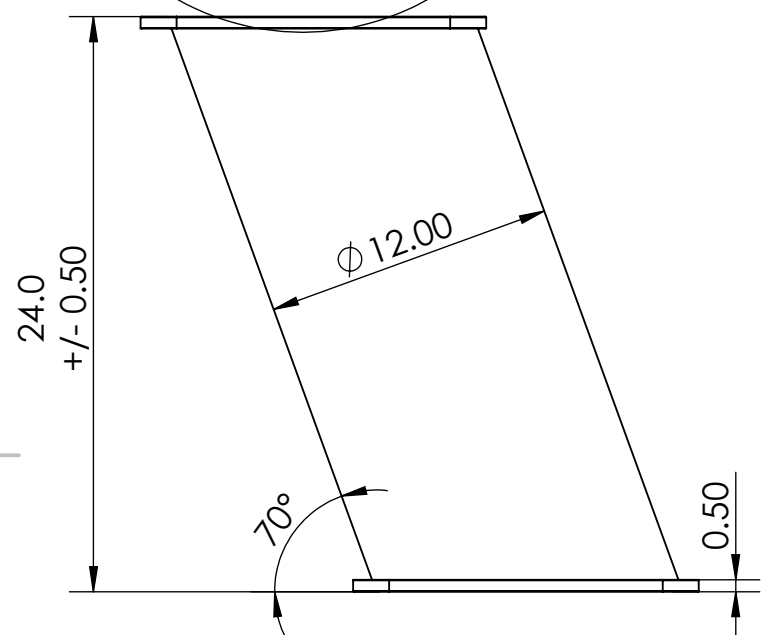


This hole pattern accepts the Taurus 400 wedge.
Note: arrow points to celestial pole.

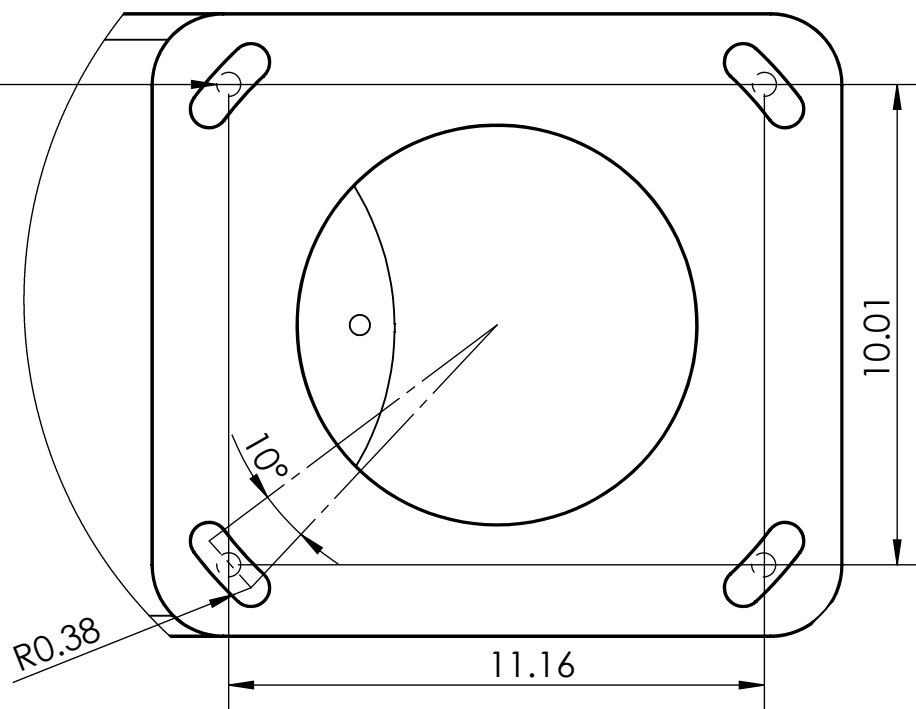
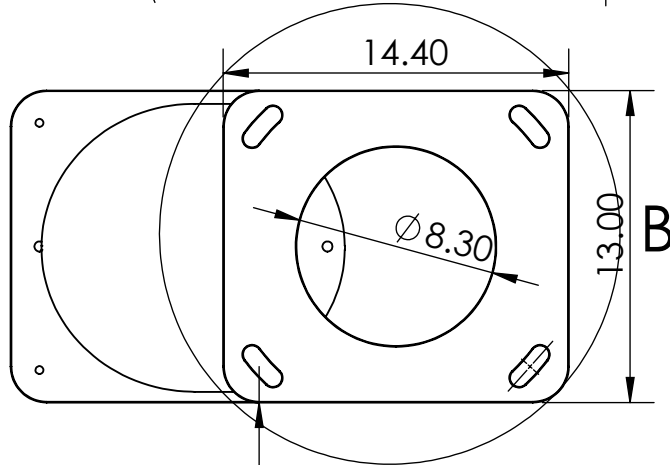
DETAIL A
SCALE 1 : 4



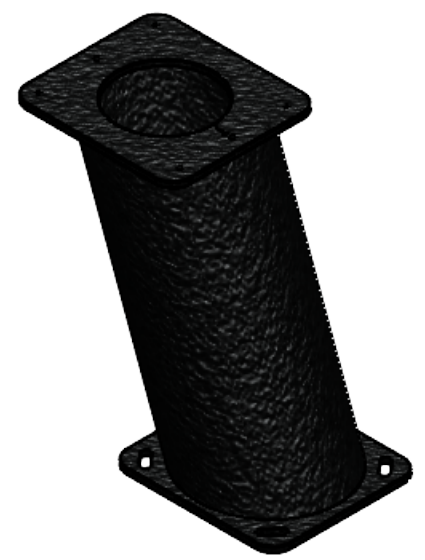
4X ϕ .33 ∇ .88
3/8-24 UNF ∇ .75

ϕ 0.50
bolts with washers
for mounting

This side bolted to ground. Longer
dimension (11.16) should be
north/south. Slots provide
 \pm 5 degrees of adjustment



DETAIL B
SCALE 1 : 4



Stock Size	
Surface Area	in ²
Weight	lbs
Anodize	
No Per Mount	

DIMENSIONS ARE IN INCHES
TOLERANCES:
THREE PLACE DECIMAL
 \pm

MATERIAL
FINISH

DO NOT SCALE DRAWING

Software Bisque

Part Number:

Part Name:
me fork pier

SIZE DWG. NO. Rev

Date last
edited: 10/14/2022

SHEET 2 OF 2